

# **PULSAFEEDER**<sup>®</sup> ENGINEERED PRODUCTS

## 55H

## PULSAR<sup>®</sup>

Our time proven PULSAR 55H is a leak-free, hydraulically balanced diaphragm metering pump. It is engineered for precise dosing and long-term dependability to deliver superior value. It includes exclusive hydraulic diagnostics that provide immediate visual intelligence about pump and system performance. The PULSAR HYPOPump<sup>®</sup> configuration is the ideal choice for sodium hypochlorite or other off-gassing and difficult to handle fluids. The PULSAR 55H is commonly used for applications in industries such as chemical processing, petrochemical, oil & gas, water & wastewater treatment, and power.



### Applications

corrosion inhibitors, anti-scalants, slurries, sodium hypochlorite injection, disinfection, pH and odor control



### Flow

up to 120 gph (453 lph)



### Pressure

up to 4000 psi (276 bar)



### Temperature

up to 230°F (110°C)



**API-675 • CE • ATEX**

## Hydraulic diaphragm metering delivers more than you expect.

### Standard materials of construction

- Wet end: 316LSS, PVC
- Diaphragm: Composite or Solid PTFE
- Pump body: Aluminum
- Valve ball: 316LSS, Alumina Ceramic
- Valve gaskets: PTFE
- Valve seat: 316LSS, PVC

### Connection types

- NPT
- Raised-face Flange

### Controls

- DLC - stroke length
- DLCM - stroke length/motor speed
- MPC - motor speed
- ECA - stroke length

### Leak detection

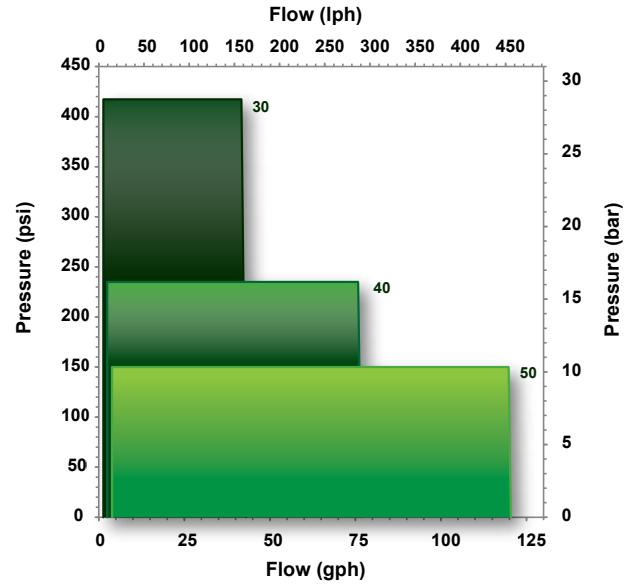
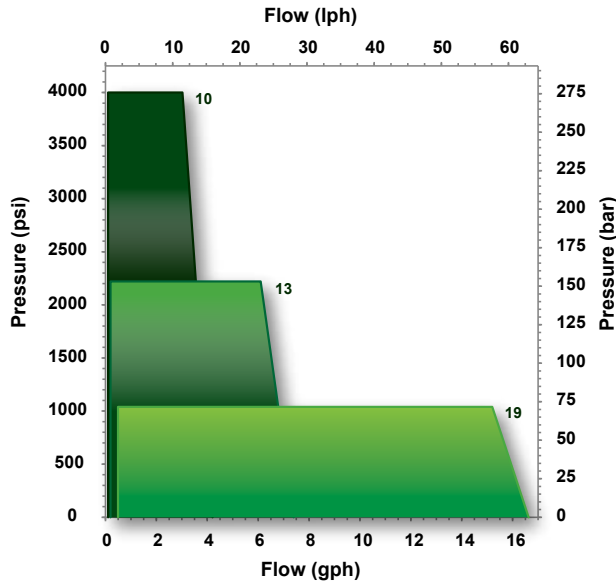
- PULSAIarm<sup>®</sup>
  - Pressure based
  - IP66 NEMA Type 7/4X

### Duplex configurations

### PULSAR HYPOPump

- The solution for injection of sodium hypochlorite and other off gassing fluids
- Fully integrated closed loop design, no external valves or piping required
- Balanced, low stress, dynamic seal ensures extended operating life
- 3 year HYPO valve warranty

## Flow & Pressure Envelope by Piston Size (mm)



### Features & Benefits

- Patented hydraulic diagnostic window yields instant visual indication of system over-pressurization, entrained air in hydraulic fluid and diaphragm integrity
- Hydraulic Performance Valve maintains optimum diaphragm position and allows low suction NPIP of 3 psi (0.2 bar)
- Push-to-prime valve allows quick manual priming of the hydraulic system in addition to automatic air bleeding
- Four bolt tie bar design provides ultimate resistance to piping moments and forces
- Three component check valves for controlled rise, assuring proper valve operation, extended valve seat life, and metering accuracy
- Externally adjustable hydraulic by-pass valve protects against over-pressurization
- Manual self-locking stroke length adjustment with resolution of 0.5% for set point accuracy

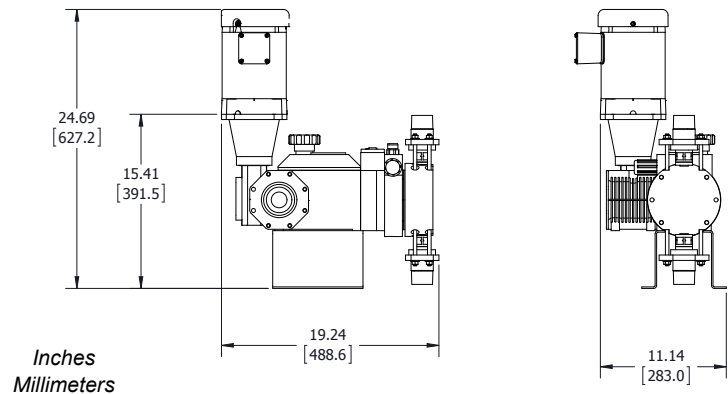
### Custom Engineering

- Compatible materials: Alloy C, Alloy 20, Monel, DuplexSS, Titanium, PVDF
- Minimum temperature to -10°F (-23°C)
- Multiplex configurations
- Manual Degass Valve
- Custom electronic controls
- Chemical feed systems
- Application consulting

### Specifications

Materials	316LSS, PVC	Max temp	230°F (110°C)
Diaphragm type	Flat	Min temp	40°F (4.4°C)
Motor power	0.75 hp (0.55 kW)	Accuracy	±0.5%
Motor frame	NEMA 56C, IEC 80B14	Standards	API-675, CE, ATEX

### Dimensions



Approximate shipping weight: 95 lb. (43 kg.)

*The dimensions given may differ depending on pump configuration.*

**For More Information, Contact Your Authorized Pulsafeeder Engineered Products Representative**



**Pulsafeeder Engineered Products**  
 2883 Brighton Henrietta Town Line Rd.  
 Rochester, NY 14623  
 Phone: +1 (585) 292-8000  
 pulsa@idexcorp.com • [pulsa.com](http://pulsa.com)

*Pulsafeeder is an ISO 9001:2008 and 14001:2004 certified company.*

© Copyright 2014 Pulsafeeder. All rights reserved.

