

VIKING PUMP - DIMENSIONAL DRAWING

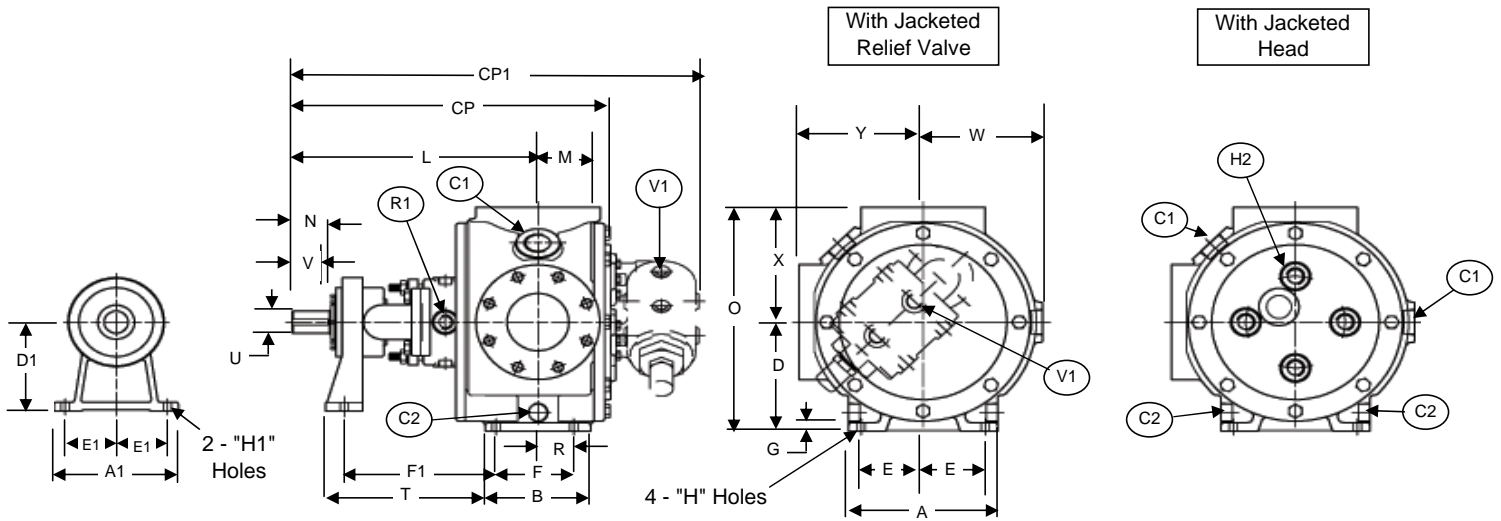
Pump Series: 260

Models: Q-260, M-260, N-260

BULLETIN: DD-260-V

Page: 1

Effective: B. 4/06/2009



Model Number	Port Size	DM	A	A1	B	CP	CP1	D	D1	E	E1	F	F1	G	H	H1	L	M	N	O	P	R	Keyway	No. and Pipe Size of Jacket Connection					Approx Ship. Wt.
																								Casing		Head	RV	RBS	
																								C1	C2	H2	V1	R1	
Q-260	4" Flanged	in.	10.0	10.0	6.50	26.75	34.44	7.75	7.75	4.12	4.12	4.25	13.75	.62	.66	.66	20.81	3.0	3.0	16.62	1.38	1.38	.500 SQ	2 x 1 1/2"	N/A	4 x 1"	6 x 1"	4 x 1"	441 lb
		mm	254	254	165	679	874	197	197	105	105	108	349	16	16.6	16.6	528	76	76	422	35	35	13 SQ						200 kg
M-260	5" Flanged	in.	12.0	10.0	8.50	26.75	34.69	9.50	9.50	5.0	4.12	6.25	12.25	.75	.66	.66	19.81	4.50	3.0	19.50	2.88	2.88	.500 SQ	2 x 2"	2 x 1 1/2"	4 x 1 1/4"	6 x 1"	4 x 1"	675 lb
		mm	327	254	216	679	881	241	241	127	105	159	311	19	16.6	16.6	503	114	76	495	73	73	13 SQ						306 kg
N-260	5" Flanged	in.	12.0	12.0	8.50	37.38	45.38	9.50	9.50	5.0	5.25	6.25	21.50	.75	.66	.69	30.5	4.50	4.0	19.50	2.88	2.878	.625 SQ	2 x 2"	2 x 1 1/2"	4 x 1 1/4"	6 x 1"	4 x 1"	877 lb
		mm	327	327	216	949	1152	241	241	127	133	159	546	19	16.6	17.4	774	114	102	495	73	73	16 SQ						398 kg

Model Number	DM	T	U	V	W	X	Y
Q-260	in.	14.31	1.94	2.38	7.75	8.88	8.88
	mm	363	49	60	197	225	225
M-260	in.	12.88	1.94	2.38	9.62	10.0	10.0
	mm	327	49	60	244	254	254
N-260	in.	22.12	2.44	2.50	9.62	10.0	10.0
	mm	562	62	63	244	254	254

Note: A combination of Jacketed Head and Jacketed or Non-Jacketed Relief Valve is not available.
 Note: Flanged ports are acceptable for use with 125# ANSI companion flanges and fittings.

ALL DIMENSIONS ARE APPROXIMATE
 FOR EXACT INSTALLATION DATA, CERTIFIED PRINTS WILL BE SUPPLIED ON REQUEST