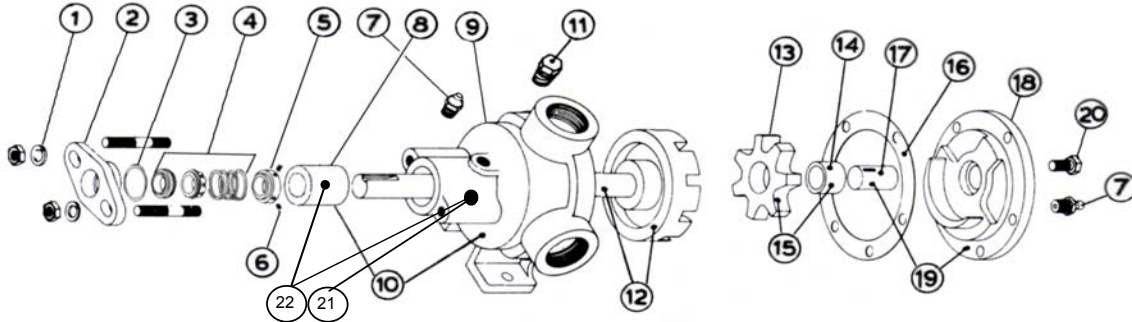


MODEL KK-230 with Mechanical Seal

Subject to change without notice
 F.O.B. Factory

Supercedes all previous parts lists



ITEM	DESCRIPTION	MATERIAL	PART NUMBER	QTY	PRICE
1	Seal Seat Retainer Fasteners	3/8-16x1 1/4 Hex Cap Screw Grade 5	355-00-068-670	2	
		3/8 Lockwasher	355-00-532-660	2	
2	Seal Seat Retainer	Steel	470-02-472-310	1	
3	Seal Seat Retainer Oring	Viton	360-00-560-850	1	
4	Mechanical Seal Ass'y	Buna / Carbon vs Ni-Resist / Stl - BF871	335-00-195-045	1	
		Buna	335-220-0000	1	
		Viton / Carbon vs Ni-Resist / Stl - XP871	335-00-150-055	1	
		Viton / Carbon vs Ceramic / SS - XP1C1	335-00-150-050	1	
5	Driving Ring	Steel	330-00-100-620	1	
6	Set Screws	1/4-20x1/4 Cup Point Socket Set Screw	355-00-271-660	1	
7	Grease Fitting	Steel	325-00-025-605	2	
8	Casing Bushing	Bronze	175-02-130-050	1	
		Carbon	2-109-003-880-02	1	
9	Casing	Iron - Jacketed - For Non-Jacketed RBS - For Buna or Viton Seal	190-02-570-310	1	
		Iron - Jacketed - For Jacketed RBS - For Buna or Viton Seal	Consult Factory	1	
10	Casing and Bushing Ass'y	Iron - Jacketed / Bronze - For Non-Jacketed RBS - For Buna or Viton Seal	Consult Factory	1	
		Iron - Jacketed / Carbon - For Non-Jacketed RBS - For Buna or Viton Seal	Consult Factory	1	
		Iron - Jacketed / Bronze - For Jacketed RBS - For Buna or Viton Seal	Consult Factory	1	
		Iron - Jacketed / Carbon - For Jacketed RBS - For Buna or Viton Seal	Consult Factory	1	
		Iron - Jacketed / Carbon - For Jacketed RBS - For Buna or Viton Seal	Consult Factory	1	
11	Pipe Plug	1/4-18 Hex Head	390-00-125-605	1	
12	Rotor and Shaft Ass'y	Iron / Steel	455-03-470-349	1	
		Ductalloy / Steel	455-03-470-139	1	
13	Idler	Iron	2-420-400-100-50	1	
14	Idler Bushing	Bronze	2-108-009-454-04	1	
		Carbon	2-108-015-880-04	1	
15	Idler and Bushing ass'y	Iron / Bronze	285-03-230-330	1	
		Iron / Carbon	285-03-230-332	1	
16	Head Gasket	Standard	245-00-050-240	3	
17	Idler Pin	Steel - Greasable	2-435-012-291-00	1	
		Steel Non-greasable	295-00-160-690	1	
18	Head	Iron - Non-Jacketed - Plain Head	2-380-405-100-00	1	
		Iron - Jacketed - Plain Head	265-02-360-310	1	
		Iron - Non-Jacketed - Relief Valve Style	2-381-414-100-00	1	
19	Head and Idler Pin Ass'y	Iron - Non-Jacketed - Plain / Steel - Greasable	270-03-330-350	1	
		Iron - Non-Jacketed - Relief Valve Style / Steel - Greasable	270-03-340-350	1	
		Iron - Plain / Steel - Non-greasable	270-03-335-350	1	
		Iron - Relief Valve / Steel - Non-greasable	270-03-345-350	1	
		Iron - Jacketed - Plain / Steel - Greasable	270-03-360-350	1	
		Iron - Jacketed - Plain / Steel - Non-greasable	270-03-365-350	1	
20	Head Bolts	Plain Head 7/16-14x7/8 Hex Cap Screw Grade 5	355-00-082-670	6	
		Relief Valve Head 7/16-14x1 Hex Cap Screw Grade 5	355-00-085-670	4	
		7/16-14x7/8 Socket Head Cap Screw	355-00-234-660	2	
21	Jacketed Rotor Bearing Sleeve	Iron	2-585-020-100-00	1	
22	Jacketed Rotor Bearing Sleeve and Bushing Ass'y	Iron / Bronze	450-03-010-330	1	
		Iron / Carbon	450-03-010-332	1	