

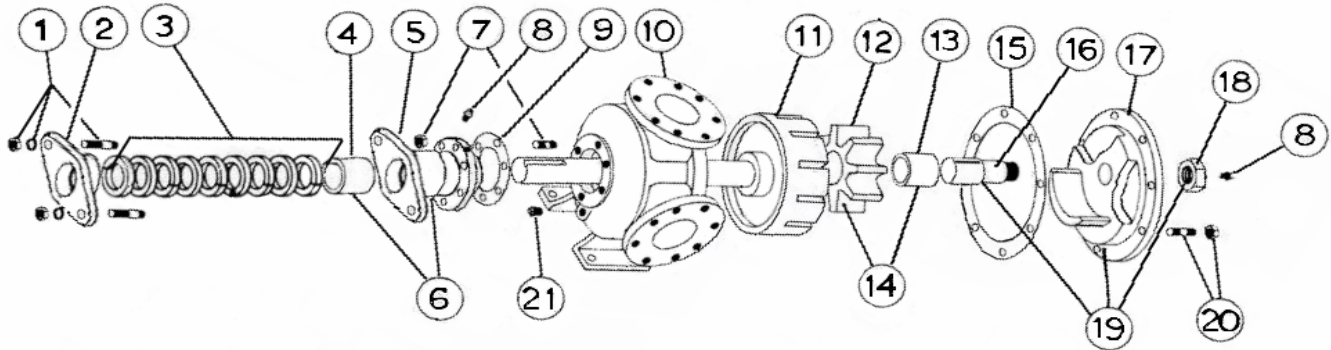
VIKING GENERAL PURPOSE UNMOUNTED PUMP

BULLETIN:	EVD-M32P-V
PAGE:	1
EFFECTIVE:	9/8/85

MODEL M-32 with Packing

Subject to change without notice
F.O.B. Windsor, Ontario

Supersedes all previous parts lists



ITEM	DESCRIPTION	MATERIAL	PART NUMBER	QTY	PRICE
1	Packing Gland	Iron	2-524-020-100-00	1	
2	Packing Gland Fasteners	5/8-11x3 1/2 T11/16 N2 Stud	355-00-461-620	2	
		5/8 Flatwasher	355-00-505-660	2	
		5/8 Lockwasher	355-00-541-660	2	
		5/8-11 Heavy Hex Nut	355-00-601-660	2	
3	Packing Set	Standard - Up To 500 Deg F - C1065	365-00-700-780	1	
		High Temperature - 1625GF	365-00-700-280	1	
4	RBS Bushing	Bronze	175-02-240-050	1	
		Carbon	2-123-009-880-00	1	
5	Rotor Bearing Sleeve (RBS)	Iron	445-02-070-310	1	
6	RBS and Bushing Ass'y	Iron / Bronze	450-03-070-330	1	
		Iron / Carbon	450-03-070-332	1	
7	RBS Fasteners	5/8-11x2 1/4 Hex Cap Screw Grade 5	355-00-152-670	6	
8	Grease Fitting	1/8 NPT Straight Grease Fitting	325-00-025-605	2	
9	RBS Gasket	Standard	245-00-120-240	1	
10	Casing	Iron	2-241-002-100-00	1	
11	Rotor and Shaft Ass'y	Iron / Steel	455-03-730-349	1	
12	Idler	Iron	2-423-001-100-70	1	
13	Idler Bushing	Bronze	2-129-007-454-05	1	
		Carbon	2-129-009-880-05	1	
14	Idler and Bushing ass'y	Iron / Bronze	285-03-340-330	1	
		Iron / Carbon	285-03-340-332	1	
15	Head Gasket	Standard	2-314-004-806-15	3	
16	Idler Pin	Steel - Greasable	295-00-230-690	1	
		Steel - Non-greasable	295-00-240-690	1	
17	Head	Iron	265-02-560-310	1	
18	Idler Pin Nut	Steel	355-00-625-660	1	
19	Head and Idler Pin Ass'y	Iron / Steel - Greasable	270-03-560-350	1	
		Iron / Steel - Non-Greasable	270-03-563-350	1	
20	Head Bolts	5/8-11x2 1/2 Hex Cap Screw Grade 5	355-00-155-670	8	
21	Pipe Plug	1 1/2 X 6 Finished Hex Jam Nut	390-00-050-605	1	