

GB-414 SERIES™

GENERATION 3 REBUILDABLE PIPELINE INJECTION PUMP

FEATURES & BENEFITS

DIMENSIONALLY INTERCHANGEABLE WITH EQUIVALENT GEN 2 GP-414 SIZES

- New advanced materials on critical internal wear surfaces
- Enhanced wear resistance and durability extend pump life

REBUILDABLE DESIGN

- All internal wear components are easily replaceable
- Simple disassembly and reassembly process saves time and money
- Complete rebuild kit brings the pump back to as-new operating condition

UPGRADED & RELIABLE SEALING SOLUTION

- Type 2 bellows seal with standard 200 PSI inlet rating does not require the pump or motor placement to be moved for a seal change
- Robust axial thrust control bearing reduces premature seal failure due to elevated inlet pressure, starts, stops, and other unique application conditions

MODULAR PORT DESIGN

- Standard 180° ports with weld neck adapters to accommodate the flange of your choice
- Common Port Location (CPL) feature allows for installation of lower flowrate pumps when well production decreases without welding or piping modifications

COMPACT FOOTPRINT

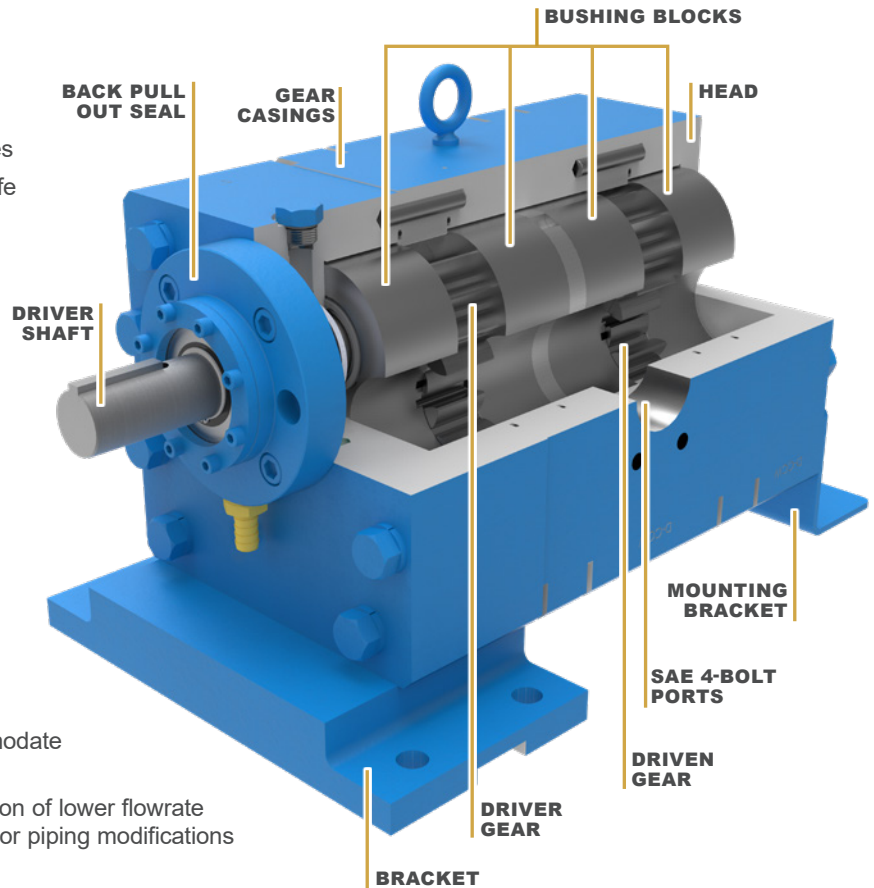
- 7' unit length on largest pump and motor assembly
- Motor speed operation eliminates the need for gear reducers or belt drives
- Units include small, rigid formed steel baseplate complete with spacer coupling and coupling guard

PERFORMANCE

Pump Model	Port Size & Type*	Nominal Flow @ 750PSI (1,775 rpm) on 4 cP **			Nominal Flow @ 1,500PSI (1,775 rpm) on 4 cP **			Max Continuous Pressure	Max Recommended Temperature	Approximate Shipping Weight (Pump Only)
		GPM	BPH	BPD	GPM	BPH	BPD			
GB-41415	2" SAE	46	66	1587	40	57	1366	1500	350	225
GB-41420	2" SAE	60	85	2045	-	-	-	750	350	233
GB-41430	2" SAE	94	134	3208	81	116	2779	1500	350	322
GB-41440	3" SAE	120	172	4138	-	-	-	750	350	334
GB-41445	3" SAE	141	201	4833	122	175	4202	1500	350	437
GB-41455	3" SAE	168	240	5760	-	-	-	750	350	453
GB-41460	4"	182	260	6230	-	-	-	750	350	500

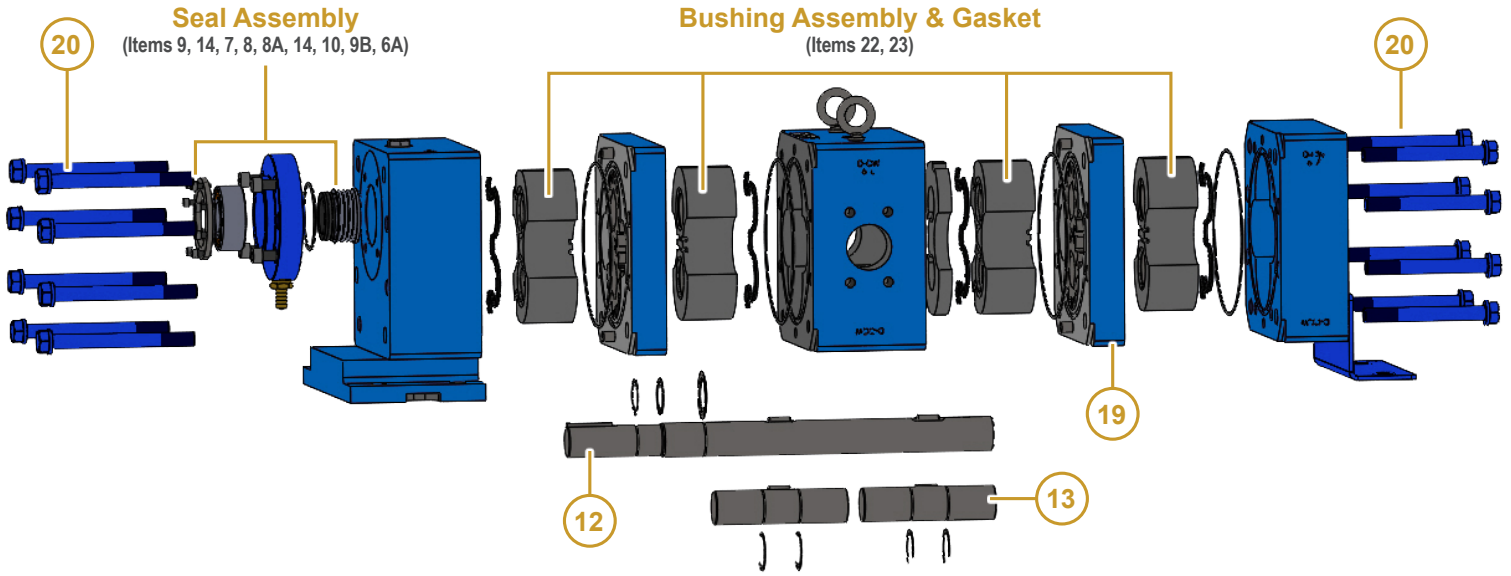
* 2" and 3" SAE ports use J518 Code 61 SAE flange ports. 4" port uses 3000 Series square flange.

** For lower flow Pipeline Injection applications, consult Viking for available options in our GB-410 Series™ pumps.



For more information, visit vikingpump.com/Pipeline-Injection

REPLACEABLE INTERNALS



Item	Name of Part	Seal Kit	Complete Rebuild Kit
1	Bracket		
6	Seal Holder		
6A	Cap Screws	✓	✓
7	Seal Holder Oring	✓	✓
8	Mech Seal - FKM/Sil- Cab	✓	✓
8A	Seal Washer	✓	✓
9	Dbl Row Ball Bearing	✓	✓
9A	Bearing End Cap		
9B	Cap Screws	✓	✓
10	Beveled Retaining Ring	✓	✓
11	Section Orings		✓
12	Driver Shaft		✓
13	Driven Shaft		✓
14	Retaining Ring	✓	✓

Item	Name of Part	Seal Kit	Complete Rebuild Kit
14	Retaining Ring (Seal)	✓	✓
14	Retaining Ring (Gears)		✓
15	Gear Pin		✓
19	Casing & Gear Set		✓
20	Cap Screws (Bracket)		✓
20	Cap Screws (Head)		✓
20A	Lock Washer		✓
22	Bushing Assembly		✓
23	Gasket		✓
24	Separation Plate Spacer		
26	Shaft Key		✓
27	Head		
29	Separation Plate - With Ports		

NOTE: Some items included in the rebuild kit not called out in above image. Contact your Viking Pump® representative for additional Rebuild Kit details.

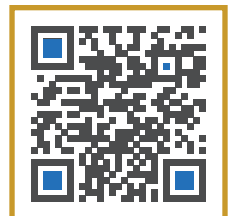


ROB DAUB - rdaub@idexcorp.com Ph: (403) 923 2867 or Viking Applications vwcapps@idexcorp.com

VIKING PUMP CANADA
A Unit of IDEX Corporation
661 Grove Ave
Windsor, Ontario N9A 6M3
vikingpump.com

**CONTACT YOUR
VIKING PUMP®
OIL & LACT PUMP
SPECIALISTS**

vikingpump.com/pipeline-injection



PRINTED ON 100% RECYCLED PAPER.

© Copyright 2023 Viking Pump, Inc. All Rights Reserved. GB-414_Pipeline-Injection_Rev0423