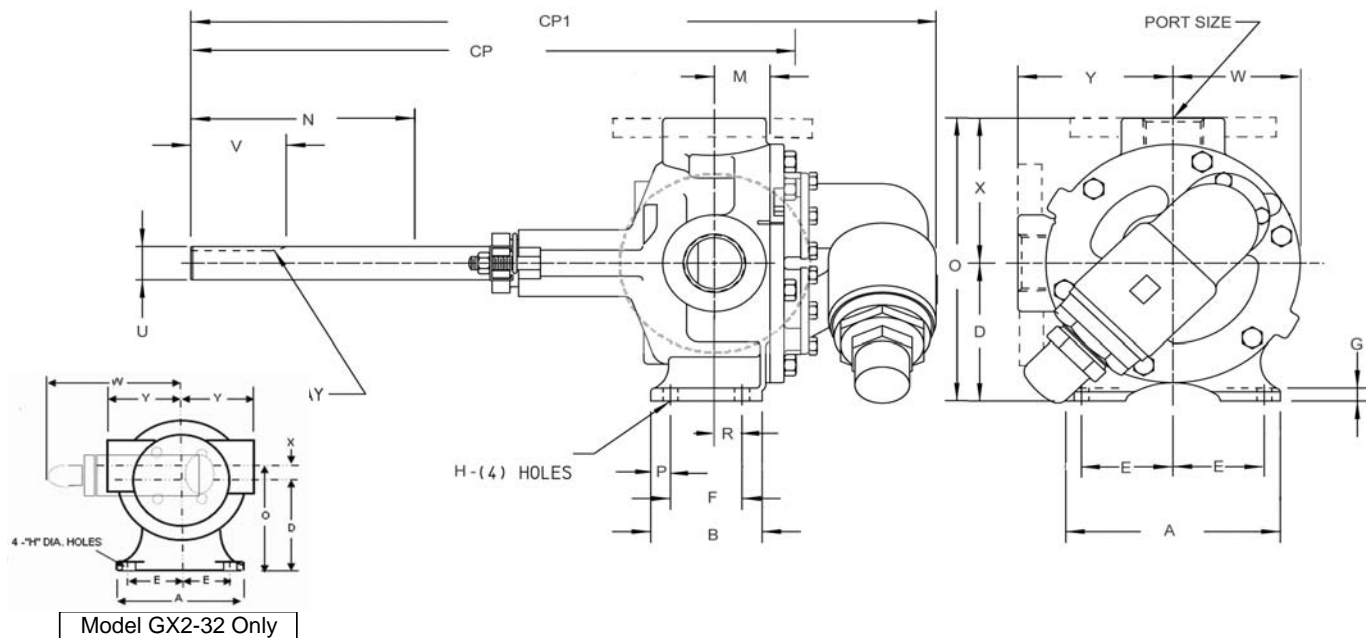


VIKING PUMP - DIMENSIONAL DRAWING

BULLETIN: DD-32-V
 Page: 1
 Issue: A.07/2005

Pump Series: 32

Models: G-32, GX2-32, H-32, HX4-32, J-32, K-32, KK-32, L-32, LQ-32, LL-32, Q-32, M-32, N-32, R-3



Model GX2-32 Only

Model Number	Port Size	DM	A	B	CP	CP1	D	E	F	G	H	L	M	N	O	P	R	U	V	W	X	Y	Keyway	Approx Ship. Wt.
G-32	3/4" NPT 90° Ports	in.	4.0	1.62	12.00	14.12	2.75	1.65	-	0.31	0.32	10.50	0.88	5.50	5.00	0.88	0.12	0.625	1.00	1.75	2.25	2.25	0.25x0.125	15 lbs.
		mm	102	42	305	359	70	43	-	8	8	267	23	140	127	23	4	16	26	45	58	58	6x3	7 kg
GX2-32	1" NPT 180° Ports	in.	4.0	1.62	12.00	14.12	2.75	1.65	-	0.31	0.32	10.75	1.12	4.50	3.38	0.56	0.06	0.625	1.00	3.50	0.62	0.62	0.25x0.125	15 lbs.
		mm	102	42	305	359	70	43	-	8	8	273	29	115	86	15	2	16	26	89	76	76	6x3	7 kg
H-32	1" NPT	in.	4.0	1.75	14.75	17.38	2.75	1.65	-	0.31	0.32	12.66	1.00	6.25	5.75	0.88	0.12	0.75	1.00	2.38	3.00	3.00	0.25x0.125	20 lbs.
		mm	102	45	375	442	70	43	-	8	8	321	25	159	147	23	4	20	26	61	77	77	6x3	9 kg
HX4-32	1-1/2" NPT	in.	4.0	2.44	15.38	18.00	2.75	1.62	1.31	0.31	0.32	13.06	1.19	6.25	5.75	0.50	1.00	0.75	1.00	4.00	3.00	3.00	0.25x0.125	32 lbs.
		mm	102	62	391	458	70	42	34	8	8	332	31	159	147	13	266	20	26	102	77	77	6x3	15 kg
J-32	1-1/2" NPT	in.	6.75	2.00	19.00	22.88	4.63	2.88	-	0.44	0.47	16.25	1.25	7.00	9.50	1.00	0.31	1.125	1.50	4.00	4.88	4.88	0.25x0.125	65 lbs.
		mm	171	51	483	581	118	73	-	11	12	413	32	178	241	25	8	29	38	102	124	124	6x3	30 kg
K-32	2" NPT	in.	6.75	3.50	19.75	23.63	4.63	2.88	2.25	0.44	0.41	16.50	1.75	7.25	9.50	0.63	1.38	1.125	1.50	4.00	4.88	4.88	0.25x0.125	71 lbs.
		mm	171	89	502	600	118	73	57	11	10	419	44	184	241	16	35	29	38	102	124	124	6x3	32 kg
KK-32	2" NPT	in.	6.75	3.50	20.25	24.13	4.63	2.88	2.25	0.44	0.47	17.00	1.75	7.25	9.50	0.63	1.38	1.438	1.50	4.00	4.88	4.88	0.25x0.125	75 lbs.
		mm	171	89	514	613	118	73	57	11	12	432	44	184	241	16	35	37	38	102	124	124	6x3	34 kg
L-32	2" NPT	in.	9.00	4.75	25.75	28.88	6.00	3.44	3.00	0.50	0.47	21.63	2.00	10.75	12.50	0.75	2.13	1.438	1.50	5.13	6.50	6.50	0.25x0.125	116 lbs.
		mm	229	121	654	734	152	87	76	13	12	549	51	273	318	19	54	37	38	130	165	165	6x3	53 kg
LQ-32	3" ANSI	in.	9.00	4.75	25.75	28.88	6.00	3.44	3.00	0.50	0.47	21.63	2.00	10.75	13.19	0.75	2.13	1.438	1.50	5.13	7.19	7.19	0.25x0.125	36 lbs.
		mm	229	121	654	734	152	87	76	13	12	549	51	273	335	19	54	37	38	130	183	183	6x3	62 kg
LL-32	3" ANSI	in.	7.00	4.62	26.50	29.63	6.00	2.88	3.00	0.50	0.47	22.38	2.00	10.75	13.19	0.63	2.13	1.438	1.50	7.00	7.19	7.19	0.25x0.125	150 lbs.
		mm	178	117	673	753	152	73	76	13	12	568	51	273	335	16	54	37	38	178	183	183	6x3	68 kg
Q-32	4" ANSI	in.	10.00	6.50	36.88	41.38	7.75	4.13	4.25	0.63	0.66	31.00	3.00	17.00	15.88	0.88	2.88	1.938	2.50	7.00	8.13	8.13	0.25x0.125	351 lbs.
		mm	254	165	937	1051	197	105	108	16	17	787	76	432	403	22	73	49	64	178	207	207	6x3	159 kg
M-32	4" ANSI	in.	12.00	8.50	31.38	36.19	9.50	5.00	6.25	0.75	0.66	25.00	4.00	11.50	19.00	1.00	3.69	1.938	2.50	8.63	9.50	9.50	0.25x0.125	481 lbs.
		mm	305	216	797	919	241	127	159	19	17	635	102	292	483	25	94	49	64	219	241	241	6x3	218 kg
N-32	5" ANSI	in.	12.00	8.50	35.38	40.25	9.50	5.00	6.25	1.00	0.66	28.5	4.50	9.50	19.00	0.81	3.38	2.438	2.50	8.63	9.50	9.50	0.25x0.125	621 lbs.
		mm	305	216	899	1022	241	127	159	25	17	724	114	241	483	21	86	62	64	219	241	241	6x3	282 kg
R-32	6" ANSI	in.	16.00	10.31	47.5	56.75	13.25	6.75	7.00	1.00	0.78	38.88	5.63	18.00	26.50	1.25	3.69	2.438	2.50	12.25	13.25	13.25	0.25x0.125	1281 lbs.
		mm	406	262	1207	1441	337	171	178	25	20	988	143	457	673	32	94	62	64	311	337	337	6x3	581 kg

ALL DIMENSIONS ARE APPROXIMATE

FOR EXACT INSTALLATION DATA, CERTIFIED PRINTS WILL BE SUPPLIED ON REQUEST

