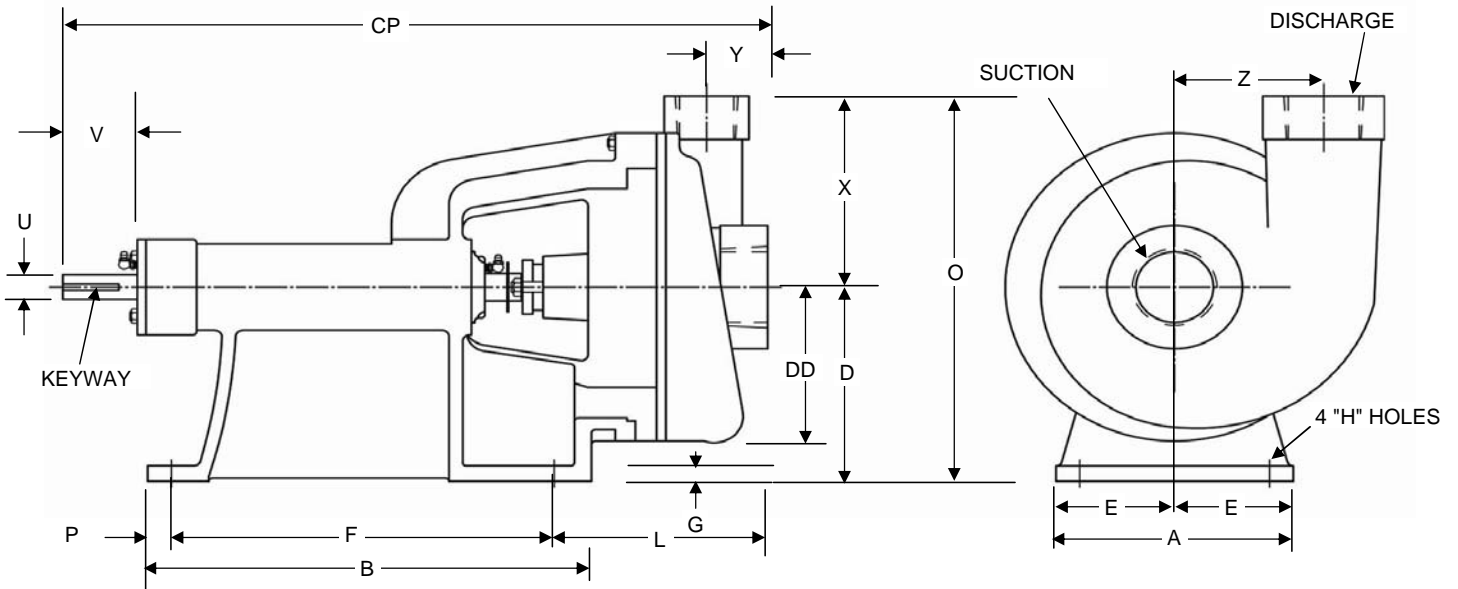


VIKING PUMP - DIMENSIONAL DRAWING

BULLETIN: DD-540-V  
 Page: 1  
 Effective: B. 4/17/2009

**Pump Series: 540 End Suction Centrifugal Pumps**  
**Models: 1-1, 1-1A, 1-1 1/2, 1-1 1/2A, 1-2, 1-2 1/2**  
**2-1 1/2, 2-2, 2-3, 2-4**



Model	Suct	Disch	DIM's	A	B	CP	D	DD	E	F	G	H	L	O	P	U	V	X	Y	Z	Keyway	Approx Ship Wt
1-1	1 1/2" NPT	1" NPT	in.	8.5	13	23.19	6	---	3.5	11	0.62	0.59	7	11.5	0.75	1	2.38	5.5	1.25	2.75	.250 x .125	120 Lbs
			mm	216	330	589	152	---	89	279	16	15	178	292	19	25	60	140	32	70	6 x 3	54.5 Kg
1-1A	1 1/2" NPT	1" NPT	in.	8.5	13	23.12	6	---	3.5	11	0.62	0.59	6.88	12.5	0.75	1	2.38	6.5	1.19	3	.250 x .125	120 Lbs
			mm	216	330	587	152	---	89	279	16	15	175	318	19	25	60	165	30	76	6 x 3	54.5 Kg
1-1 1/2	2" NPT	1 1/2" NPT	in.	8.5	13	23.56	6	---	3.5	11	0.62	0.59	7.38	13.75	0.75	1	2.38	7.75	1.31	2.38	.250 x .125	126 Lbs
			mm	216	330	598	152	---	89	279	16	15	187	349	19	25	60	197	33	60	6 x 3	57 Kg
1-1 1/2A	2" NPT	1 1/2" NPT	in.	8.5	13	23.56	6	---	3.5	11	0.62	0.59	7.38	13.75	0.75	1	2.38	7.75	1.31	3.25	.250 x .125	130 Lbs
			mm	216	330	598	152	---	89	279	16	15	187	349	19	25	60	197	33	83	6 x 3	59 Kg
1-2	2 1/2" NPT	2" NPT	in.	8.5	13	23.81	6	---	3.5	11	0.62	0.59	7.62	14	0.75	1	2.38	8	1.56	2.5	.250 x .125	133 Lbs
			mm	216	330	605	152	---	89	279	16	15	194	36	19	25	60	203	40	64	6 x 3	60.5 Kg
1-2 1/2	3" FLGD	3" FLGD	in.	8.5	13	25.06	7.88	---	3.5	11	0.62	0.59	8.88	15	0.75	1	2.38	9	2.69	2.62	.250 x .125	136 Lbs
			mm	216	330	637	200	---	89	279	16	15	225	381	19	25	60	229	68	67	6 x 3	61.5 Kg
2-1 1/2	2 1/2" NPT	1 1/2" NPT	in.	8.75	16.38	25.88	7.88	---	3.5	14.12	0.75	0.62	7.75	15.25	0.88	1.25	2.75	7.38	2.38	5.25	.250 x .125	176 Lbs
			mm	222	416	6557	200	---	89	359	19	16	197	387	22	32	70	187	60	133	6 x 3	80 Kg
2-2	2 1/2" NPT	2" NPT	in.	8.75	16.38	26	7.88	---	3.5	14.12	0.75	0.62	7.88	15.62	0.88	1.25	2.75	7.75	2.25	5.5	.250 x .125	181 Lbs
			mm	222	416	660	200	---	89	359	19	16	200	397	22	32	70	197	57	140	6 x 3	82 Kg
2-3	3" FLGD	3" FLGD	in.	8.75	16.38	28	7.88	---	3.5	14.12	0.75	0.62	9.88	14.88	0.88	1.25	2.75	7	3.75	5.88	.250 x .125	201 Lbs
			mm	222	416	711	200	---	89	359	19	16	251	378	22	32	70	178	95	149	6 x 3	91 Kg
2-4	4" FLGD	4" FLGD	in.	8.75	16.38	29.12	7.88	---	3.5	8.25	0.75	0.62	11	14.88	0.88	1.25	2.75	7	4.38	6.25	.250 x .125	246 Lbs
			mm	222	416	740	200	---	89	210	19	16	279	378	22	32	70	178	111	159	6 x 3	111.5 Kg

ALL DIMENSIONS ARE APPROXIMATE  
 FOR EXACT INSTALLATION DATA, CERTIFIED PRINTS WILL BE SUPPLIED ON REQUEST