

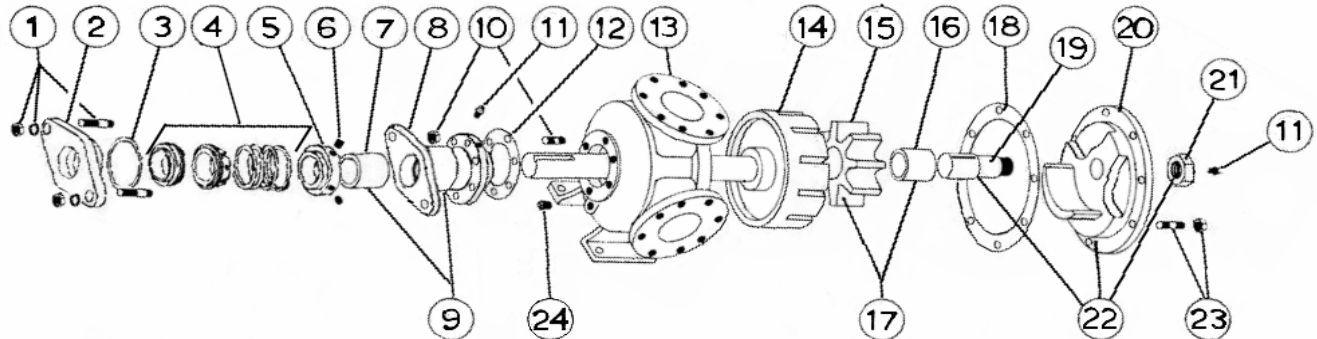
VIKING GENERAL PURPOSE UNMOUNTED PUMP

| | |
|------------|------------|
| BULLETIN: | EVD-M32S-V |
| PAGE: | 1 |
| EFFECTIVE: | 11/2015 |

MODEL M-32 with Mechanical Seal

Subject to change without notice
F.O.B. Windsor, Ontario

Supercedes all previous parts lists



| ITEM | DESCRIPTION | MATERIAL | PART NUMBER | QTY | PRICE |
|------|------------------------------|---|------------------|-----|-------|
| 1 | Seal Seat Retainer Fasteners | 5/8-11x1 3/4 Hex Cap Screw Grade 5 | 355-00-146-670 | 2 | |
| 2 | Seal Seat Retainer | Steel | 355-00-541-660 | 2 | |
| 3 | Seal Seat Retainer O-ring | Buna | 470-02-644-310 | 1 | |
| 4 | Mechanical Seal Ass'y | Buna / Carbon vs Ni-Resist / SS - BF871 | 335-00-240-015 | 1 | |
| 5 | Driving Ring | Steel | 330-00-150-620 | 1 | |
| 6 | Driving Ring Set Screws | 1/4-20x1/4 Cup Point Set Screw | 355-00-271-660 | 2 | |
| 7 | RBS Bushing | Bronze | 175-02-240-050 | 1 | |
| | | Carbon | 2-123-009-880-00 | 1 | |
| 8 | Rotor Bearing Sleeve (RBS) | Iron | 445-02-085-310 | 1 | |
| 9 | RBS and Bushing Ass'y | Iron / Bronze | 450-03-085-330 | 1 | |
| | | Iron / Carbon | 450-03-085-332 | 1 | |
| 10 | RBS Fasteners | 5/8-11x2 1/4 Hex Cap Screw Grade 5 | 355-00-140-670 | 6 | |
| 11 | Grease Fitting | 1/8 NPT Straight Grease Fitting | 325-00-025-605 | 2 | |
| 12 | RBS Gasket | Standard | 245-00-120-240 | 1 | |
| 13 | Casing | Iron | 2-241-002-100-00 | 1 | |
| 14 | Rotor and Shaft Ass'y | Iron / Steel | 455-03-730-349 | 1 | |
| 15 | Idler | Iron | 2-423-001-100-70 | 1 | |
| 16 | Idler Pin | Steel - Greasable | 295-00-230-690 | 1 | |
| | | Steel - Non-greasable | 295-00-240-690 | 1 | |
| 17 | Idler and Bushing ass'y | Iron / Bronze | 285-03-340-330 | 1 | |
| | | Iron / Carbon | 285-03-340-332 | 1 | |
| 18 | Head Gasket | Standard | 2-314-004-806-15 | 3 | |
| 19 | Idler Pin | Steel - Greasable | 295-00-230-690 | 1 | |
| | | Steel - Non-greasable | 295-00-240-690 | 1 | |
| 20 | Head | Iron | 265-02-560-310 | 1 | |
| 21 | Idler Pin Nut | 1 1/2 X 6 Finished Hex Jam Nut | 355-00-625-660 | 1 | |
| 22 | Head and Idler Pin Ass'y | Iron / Steel - Greasable | 270-03-560-350 | 1 | |
| | | Iron / Steel - Non-Greasable | 270-03-563-350 | 1 | |
| 23 | Head Fasteners | 5/8-11x2 1/2 Hex Cap Screw Grade 5 | 355-00-143-670 | 8 | |
| 24 | Pipe Plug | 1/8 NPT Hex Head Plug | 390-00-050-605 | 3 | |